

# ETM VALVE CO.,LTD.

Europe Technology Manufacturer



PLUG VALVES  
BALL VALVES  
GATE VALVES  
GLOBE VALVES  
CHECK VALVES  
BELLOWS SEAL VALVES

**ASME INDUSTRIAL VALVE**

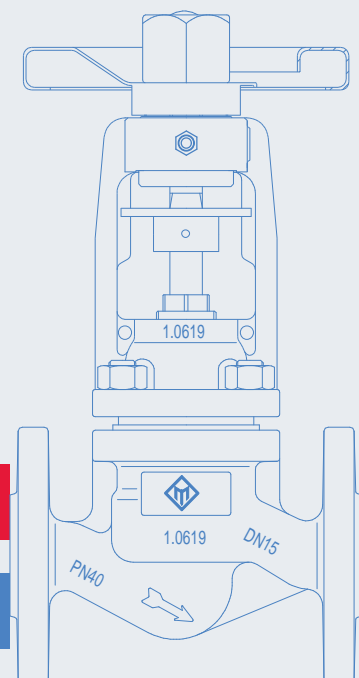
**DIN INDUSTRIAL VALVE**

**ETM VALVE CO.,LTD.**

Add: Oubei town, Yongjia county, WenZhou City, ZheJiang province, China, 325102

Phone: +86 577 6795 3935 Fax: +86 577 6798 3935

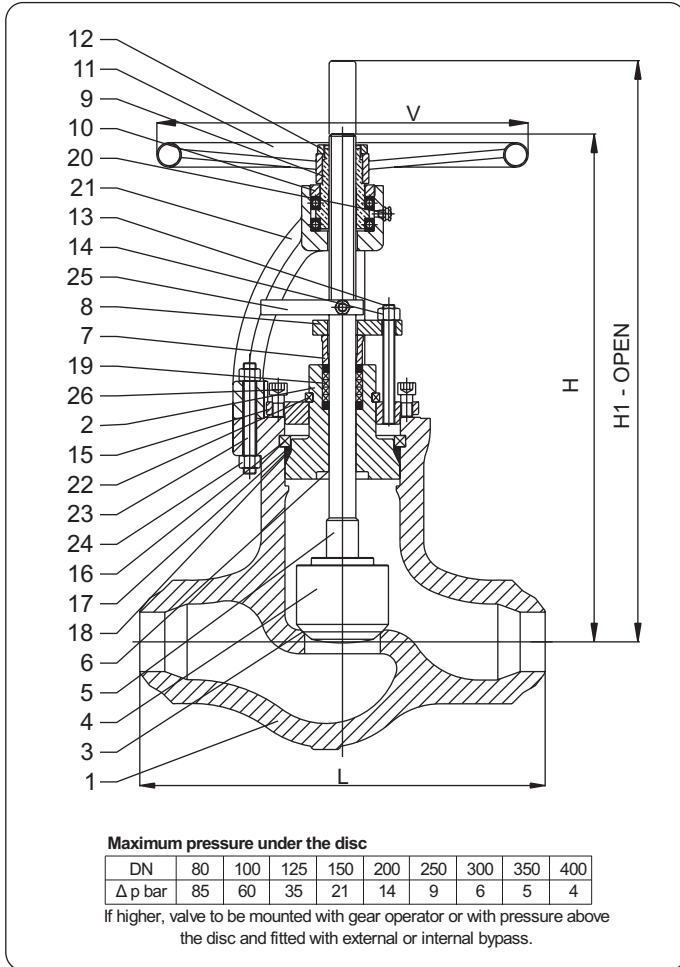
E-mail: [info@etmvalve.com](mailto:info@etmvalve.com) - <http://www.etmvalve.com>





**ETM VALVE**  
Europe Technology Manufacturer

**DIN PRESSURE SEAL GLOBE VALVES**  
**DIN PN100-PN160-PN250-PN320-PN420 F8**



*standard features*

- **Description** PRESSURE SEAL BONNET  
OUTSIDE SCREW AND YOKE  
RISING STEM  
NON RISING HANDWHEEL  
INTEGRAL BACKSEAT  
WELDED IN SEATS  
LOOSED DISC
- **Design** DIN 3352
- **Face to face** DIN 3202
- **Flanges** DIN 2501  
DIN 2547  
DIN 2526 FORM E  
BW TO DIN 3239
- **Testing** DIN 3352 Part 1  
DIN 3230 Part 3
- **Rating** DIN 2401
- **Marking** EN 19  
CE - PED
- **Certificates** EN 10204 – 3.1 B

PART NAME	MATERIAL		
1 Body	1.0619	1.7357	1.7380
2 Bonnet	1.0619	1.7357	1.7380
3 Ring - seat surface	1.0460 - HF (1)	1.0460 + HF (1)	1.0460 + HF (1)
4 Disc - seat surface	1.0619 - HF (1)	1.7357 + HF (1)	1.7380 + HF (1)
5 Stem	X20Cr13 (3)	X20Cr13 (3)	X20Cr13 (3)
6 Back seat (integral)	Overlay Stellite <sup>®</sup> (2)	Overlay Stellite <sup>®</sup> (2)	Overlay Stellite <sup>®</sup> (2)
7 Gland	X20Cr13	X20Cr13	X20Cr13
8 Gland flange	1.0460	X20Cr13	X20Cr13
9 Yoke sleeve	GG G50 (4)	GG G50 (4)	GG G50 (4)
10 Yoke nut	1.0460	1.0460	1.0460
11 Handwheel	Steel	Steel	Steel
12 Handwheel nut	1.0460	1.0460	1.0460
13 Bolts	CK35	21CrMoV57	21CrMoV57
14 Nuts	C35	24CrMo5	24CrMo5
15 Retainer flange	1.0460	1.0460	1.0460
16 Retainer ring	X20Cr13	X20Cr13	X20Cr13
17 Spacer ring	X20Cr13	X20Cr13	X20Cr13
18 Gasket	S. S. reinforced graphite (4)	S. S. reinforced graphite (4)	S. S. reinforced graphite (4)
19 Packing	Graphite rings and wiper rings	Graphite rings and wiper rings	Graphite rings and wiper rings
20 Grease nipple	Steel	Steel	Steel
21 Yoke	1.0619	1.7357	1.7380
22 Support ring	1.0460	X20Cr13	X20Cr13
23 Yoke / body bolt	CK35	21CrMoV57	21CrMoV57
24 Yoke / body nut	C35	24CrMo5	24CrMo5
25 No rotation device	C35	21CrMoV57	21CrMoV57
26 Bolt	CK35	21CrMoV57	21CrMoV57

(1) On request: faced with Stellite<sup>®</sup> - Monel<sup>®</sup> - Hastelloy<sup>®</sup> - other materials  
 (2) On request: faced with Monel<sup>®</sup> - Hastelloy<sup>®</sup> - other materials  
 (3) On request: 17 Cr - Monel<sup>®</sup> - Hastelloy<sup>®</sup> - other materials

(4) On request: Nodular Iron - Nitronic 60  
 (5) On request: Metal

All data, subject to technical changes, are only for information and not for official use.





**FIG.S.G52 PRESSURE SEAL GLOBE VALVES DIN PN100 Face to Face F8**

SIZE	50	65	80	100	125	150	200	250	300	350	400	500	600
L BW	300	360	390	450	525	600	750	900	1050	1200	1350	1650	--
V	200	200	250	300	400	G.O.	G.O.	G.O.	G.O.	G.O.	G.O.	G.O.	--
H	500	590	590	600	860	860	1000	1330	1480	--	--	--	--
H1	513	607	610	625	892	898	1050	1393	1555	--	--	--	--

**FIG.S.G53 PRESSURE SEAL GLOBE VALVES DIN PN160 Face to Face F8**

SIZE	50	65	80	100	125	150	200	250	300	350	400	500	600
L BW	300	360	390	450	525	600	750	900	1050	1200	1350	1650	--
V	250	300	300	400	500	G.O.	G.O.	G.O.	G.O.	G.O.	G.O.	G.O.	--
H	500	590	590	600	860	860	1000	1330	1480	--	--	--	--
H1	513	607	610	625	892	898	1050	1393	1555	--	--	--	--

**FIG.S.G54 PRESSURE SEAL GLOBE VALVES DIN PN250 Face to Face F8**

SIZE	50	65	80	100	125	150	200	250	300	350	400	500	600
L BW	300	360	390	450	525	600	750	900	1050	1200	1350	1650	--
V	300	400	400	G.O.	G.O.	G.O.	G.O.	G.O.	G.O.	G.O.	G.O.	G.O.	--
H	500	590	590	600	860	860	1000	1330	1480	--	--	--	--
H1	513	607	610	625	892	898	1050	1393	1555	--	--	--	--

**FIG.S.G55 PRESSURE SEAL GLOBE VALVES DIN PN320 Face to Face F8**

SIZE	50	65	80	100	125	150	200	250	300	350	400	500	600
L BW	300	360	390	450	525	600	750	900	1050	1200	1350	1650	--
V	300	400	400	G.O.	G.O.	G.O.	G.O.	G.O.	G.O.	G.O.	G.O.	G.O.	--
H	500	590	590	600	860	860	1000	1330	1480	--	--	--	--
H1	513	607	610	625	892	898	1050	1393	1555	--	--	--	--

**FIG.S.G56 PRESSURE SEAL GLOBE VALVES DIN PN420 Face to Face F8**

SIZE	50	65	80	100	125	150	200	250	300	350	400	500	600
L BW	300	360	390	450	525	600	750	900	1050	1200	1350	1650	--
V	300	400	400	G.O.	G.O.	G.O.	G.O.	G.O.	G.O.	G.O.	G.O.	G.O.	--
H	500	590	590	600	860	860	1000	1330	1480	--	--	--	--
H1	513	607	610	625	892	898	1050	1393	1555	--	--	--	--

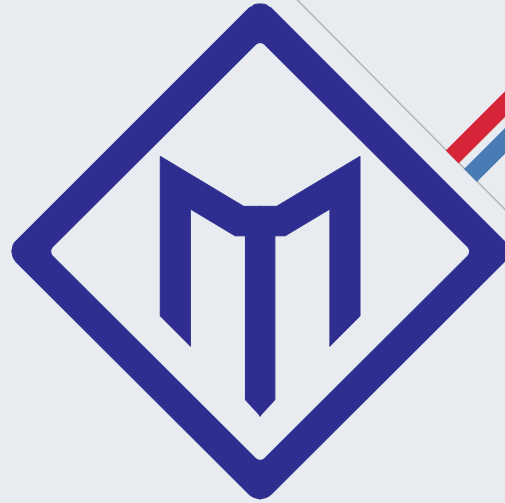
*features on request*

- TOP FLANGE TO ISO 5210
- GEAR OPERATOR
- CHAIN WHEEL OPERATOR
- PNEUMATIC ACTUATOR
- HYDRAULIC ACTUATOR
- ELECTRIC ACTUATOR
- POSITION INDICATOR
- LIMIT SWITCHES
- LOCKING / INTERLOCK SYSTEM
- PTFE SOFT SEATS
- STEM PROTECTION / EXTENSION
- REGULATING DISC
- DOUBLE STAGE DISC
- STOP CHECK DISC
- LIVE LOADED PACKING
- DRAIN PLUG
- FLANGED ENDS
- ANSI CONNECTIONS

All dimensions in mm (except where differently indicated)

All data, subject to technical changes, are only for information and not for official use.





**ETM VALVE CO.,LTD.**  
**Europe Technology Manufacturer**

