

# ETM VALVE CO.,LTD.

Europe Technology Manufacturer



PLUG VALVES  
BALL VALVES  
GATE VALVES  
GLOBE VALVES  
CHECK VALVES  
BELLOWS SEAL VALVES

**ASME INDUSTRIAL VALVE**

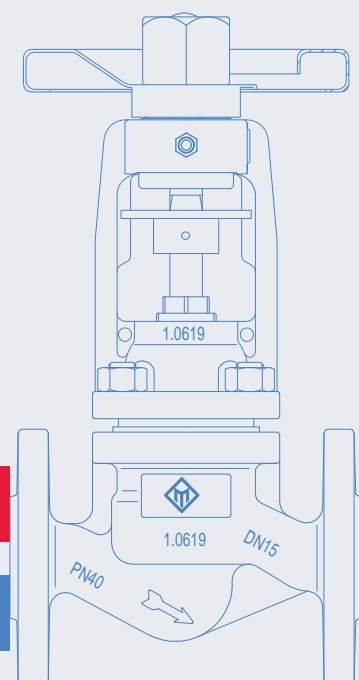
**DIN INDUSTRIAL VALVE**

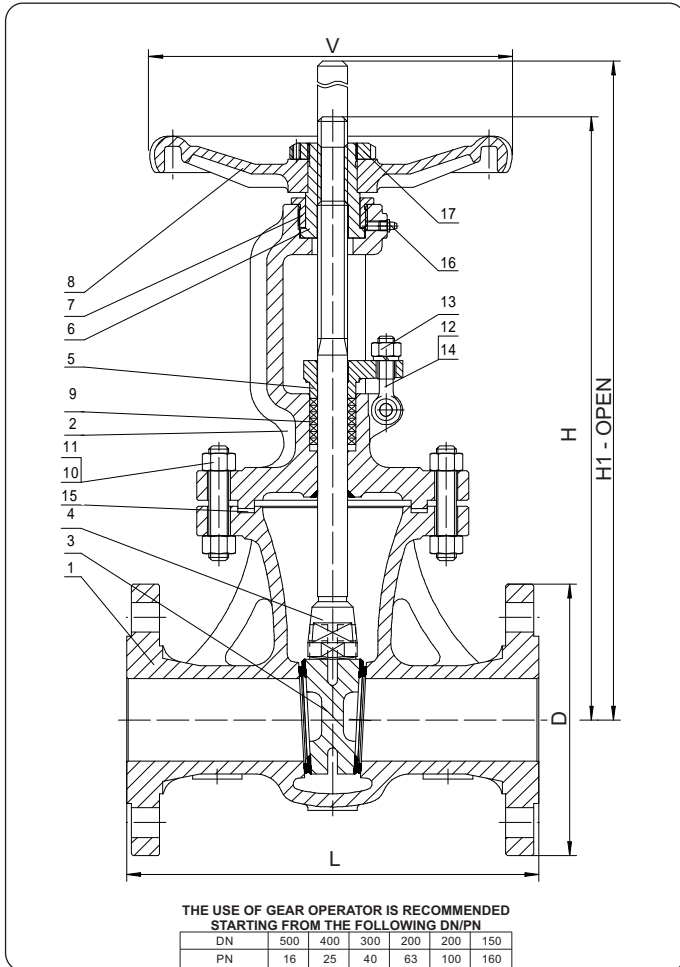
**ETM VALVE CO.,LTD.**

Add: Oubei town, Yongjia county, WenZhou City, ZheJiang province, China, 325102

Phone: +86 577 6795 3935 Fax: +86 577 6798 3935

E-mail: [info@etmvalve.com](mailto:info@etmvalve.com) - <http://www.etmvalve.com>





*standard features*

- **Description**      ROUND BODY  
BOLTED BONNET  
OUTSIDE SCREW AND YOKE  
RISING STEM  
NON RISING HANDWHEEL  
FLEXIBLE WEDGE  
RENEWABLE SEATS
- **Design**             DIN 3352
- **Face to face**       DIN 3202
- **Flanges**             DIN 2501  
DIN 2547  
DIN 2526 FORM E  
BW TO DIN 3239
- **Testing**             DIN 3352 Part 1  
DIN 3230 Part 3
- **Rating**             DIN 2401
- **Marking**            EN 19  
CE - PED
- **Certificates**       EN 10204 – 3.1 B

PART NAME	MATERIAL			
1 Body	1.0619	1.7365	1.4552	1.4581
2 Bonnet	1.0619	1.7365	1.4552	1.4581
3 Wedge	1.0619+X20Cr13(1)	1.7365+ HF (2)	X6CrNiTi18-10 (2)	X5CrNiMo17-12-2 (2)
4 Stem	X20Cr13 (3)	X20Cr13 (3)	X6CrNiTi18-10 (3)	X5CrNiMo17-12-2 (3)
5 Gland flange	1.0460	X5CrNiMo17-12-2	X6CrNiTi18-10	X5CrNiMo17-12-2
6 Yoke sleeve	MS58 (4)	MS58 (4)	MS58 (4)	MS58 (4)
7 Yoke nut	1.0460	1.0460	X6CrNiTi18-10	X5CrNiMo17-12-2
8 Handwheel	← Steel →			
9 Packing	← Graphite rings & wiper rings (6) →			
10 Bolts	CK35	21CrMoV57	A2-70	A2-70
11 Nuts	C35	24CrMo5	A2-70	A2-70
12 Eye bolts	CK35	24CrMo5	A2-70	A2-70
13 Nuts	C35	24CrMo5	A2-70	A2-70
14 Eye bolt pin	CK35	24CrMo5	A2-70	A2-70
15 Gasket	← S.S. Reinforced graphite (5) →			
16 Grease nipple	← Copper →			
17 Handwheel nut	1.0460	1.0460	X6CrNiTi18-10	X5CrNiMo17-12-2

(1) On request: faced with Stellite® - Monel® - Hastelloy® - other materials  
 (2) On request: faced with Stellite® - Monel® - Hastelloy® - other materials  
 (3) On request: 17 Cr - Monel® - Hastelloy® - other materials

(4) On request: GGG50 - Nitronic 60  
 (5) On request: PTFE - other materials  
 (6) On request: PTFE - other materials

All data, subject to technical changes, are only for information and not for official use.





**FIG.F.163 GATE VALVES DIN PN40 - Face to Face F7**

SIZE DN	50	65	80	100	125	150	200	250	300	350	400	450	500	600	700	800	900	1000	--	--
L RF/BW	250	290	310	350	400	450	550	650	750	850	950	1050	1150	1350	1550	1750	1950	2150	--	--
D	165	185	200	235	270	300	375	450	515	580	660	685	755	890	995	1140	1250	1360	--	--
V	200	200	225	250	300	400	500	500	600	700	700	800	1000	1200	1200	1400	1400	1400	--	--
H	400	430	500	520	610	700	900	1050	1200	1400	1580	1750	1900	2300	2600	3200	4400	4700	--	--
H1	470	495	580	620	720	840	1100	1300	1540	1750	1980	2200	2450	3000	3500	4100	5500	5900	--	--

**FIG.F.164 GATE VALVES DIN PN63 - Face to Face F7**

SIZE DN	50	65	80	100	125	150	200	250	300	350	400	500	600
L RF/BW	250	290	310	350	400	450	550	650	750	850	950	1150	1350
D	180	205	215	250	295	345	415	470	530	600	670	800	930
V	200	250	250	400	400	500	600	700	700	800	1000	1000	1200
H	450	500	540	670	685	810	970	1155	1330	1500	1680	2100	2400
H1	500	570	620	780	810	980	1180	1420	1660	1880	2100	2650	3100

**FIG.F.165 GATE VALVES DIN PN100 - Face to Face F7**

SIZE DN	50	65	80	100	125	150	200	250	300	350	400	500	600
L RF/BW	250	290	310	350	400	450	550	650	750	850	950	1150	1350
D	195	220	230	265	315	355	430	505	585	655	715	870	990
V	200	250	250	400	400	500	600	700	700	800	1000	1000	1200
H	450	500	540	670	685	810	970	1155	1330	1500	1680	2100	2400
H1	500	570	620	780	810	980	1180	1420	1660	1880	2100	2650	3100

**FIG.F.166 GATE VALVES DIN PN160 - Face to Face F8**

SIZE DN	50	65	80	100	125	150	200	250	300	350	400	--	--
L RF/BW	300	360	390	450	525	600	750	900	1050	1200	1350	--	--
D	195	220	230	265	315	355	430	505	585	655	715	--	--
V	200	250	250	400	400	500	600	700	700	800	1000	--	--
H	450	500	540	670	685	810	970	1155	1330	1500	1680	--	--
H1	500	570	620	780	810	980	1180	1420	1660	1880	2100	--	--

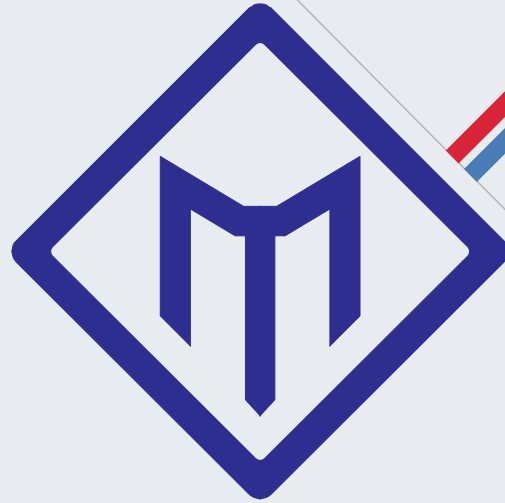
*features on request*

- TOP FLANGE TO ISO 5210
- GEAR OPERATOR
- CHAIN WHEEL OPERATOR
- PNEUMATIC ACTUATOR
- HYDRAULIC ACTUATOR
- ELECTRIC ACTUATOR
- POSITION INDICATOR
- LIMIT SWITCHES
- LOCKING / INTERLOCK
- PTFE SOFT SEATS
- STEM PROTECTION
- STEM EXTENSION
- LANTERN RING
- EXTENDED STUFFING BOX
- LIVE LOADED PACKING
- DRAIN PLUG
- BY PASS
- BW ENDS
- ANSI CONNECTIONS

All dimensions in mm (except where differently indicated)

All data, subject to technical changes, are only for information and not for official use.





**ETM VALVE CO.,LTD.**  
**Europe Technology Manufacturer**

