

# ETM VALVE CO.,LTD.

Europe Technology Manufacturer



PLUG VALVES  
BALL VALVES  
GATE VALVES  
GLOBE VALVES  
CHECK VALVES  
BELLOWS SEAL VALVES

**ASME INDUSTRIAL VALVE**

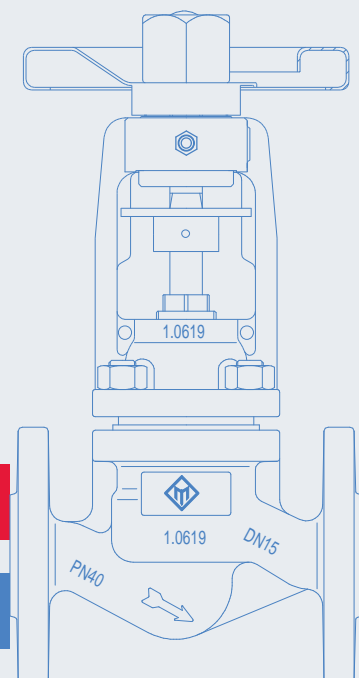
**DIN INDUSTRIAL VALVE**

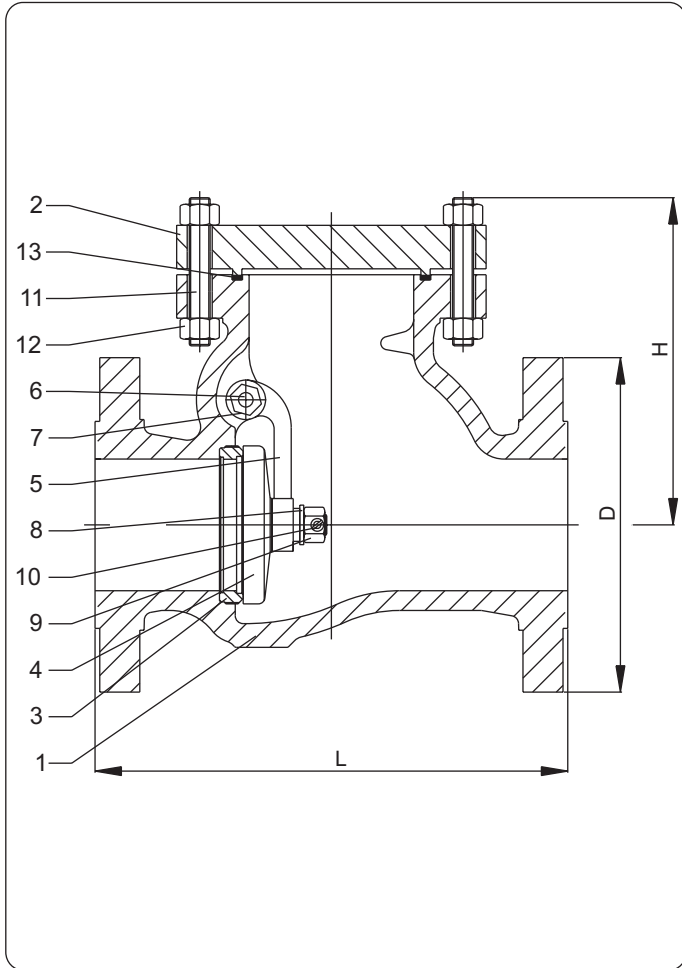
**ETM VALVE CO.,LTD.**

Add: Oubei town, Yongjia county, WenZhou City, ZheJiang province, China, 325102

Phone: +86 577 6795 3935 Fax: +86 577 6798 3935

E-mail: [info@etmvalve.com](mailto:info@etmvalve.com) - <http://www.etmvalve.com>





*standard features*

- **Description** FULL OPENING  
BOLTED COVER  
LAPPED DISC AND SEAT  
RENEWABLE SEAT
- **Design** DIN 3840
- **Face to face** DIN 3202
- **Flanges** DIN 2501  
DIN 2547  
DIN 2526 FORM E  
BW TO DIN 3239
- **Testing** DIN 3352 Part 1  
DIN 3230 Part 3
- **Rating** DIN 2401
- **Marking** EN 19  
CE - PED

PART NAME	MATERIAL			
<b>1 Body</b>	1.0619	1.7363	1.4552	1.4581
<b>2 Cover</b>	1.0619	1.7363	1.4552	1.4581
<b>3 Seat ring surface</b>	X20Cr13 (1)	X20Cr13 (1)	X6CrNiTi18-10 (1)	X5CrNiMo17-12-2 (1)
<b>4 Disc seat surface</b>	X20Cr13 (2)	X20Cr13 (2)	X6CrNiTi18-10 (2)	X5CrNiMo17-12-2 (2)
<b>5 Hinge</b>	1.0619 (3)	X5CrNiMo17-12-2 (3)	X6CrNiTi18-10 (3)	GX5CrNiMoNb19-11-2 (3)
<b>6 Inge pin</b>	X20Cr13	X20Cr13	X6CrNiTi18-10	X5CrNiMo17-12-2
<b>7 Plug</b>	1.0460	X5CrNiMo17-12-2	X5CrNiMo17-12-2	X5CrNiMo17-12-2
<b>8 Plate</b>	1.0460	X5CrNiMo17-12-2	X5CrNiMo17-12-2	X5CrNiMo17-12-2
<b>9 Nut</b>	C35	24CrMo5	A2-70	A2-70
<b>10 Pin</b>	X5CrNiMo17-12-2	X5CrNiMo17-12-2	X5CrNiMo17-12-2	X5CrNiMo17-12-2
<b>11 Bolts</b>	CK35	21CrMoV57	A2-70	A2-70
<b>12 Nut</b>	C35	24CrMo5	A2-70	A2-70
<b>13 Gasket</b>	← S.S. spiral wound reinforced graphite (4) →			

(1) On request: faced with Stellite® - Monel® - Hastelloy® - other materials  
 (2) On request: faced with Stellite® - Monel® - Hastelloy® - other materials  
 (3) On request: 17 Cr - Monel® - Hastelloy® - other materials

(4) On request: PTFE - other materials

All data, subject to technical changes, are only for information and not for official use.





**FIG.C.260 SWING CHECK VALVES DIN PN16 Face to Face F6**

SIZE DN	50	65	80	100	125	150	200	250	300	350	400	500	600	700	800	900	1000
L RF/BW	200	240	260	300	350	400	500	600	700	800	900	1100	1300	1500	1700	1900	2100
D	165	185	200	220	250	285	340	405	460	520	580	715	840	910	1025	1125	1255
H	150	180	200	225	270	300	355	390	445	495	530	620	730	--	--	--	--

**FIG.C.261 SWING CHECK VALVES DIN PN16 Face to Face F1**

SIZE DN	50	65	80	100	125	150	200	250	300	350	400	500	600	700	800	900	1000
L RF/BW	230	290	310	350	400	480	600	730	850	980	1100	1250	1450	1650	1850	2050	2250
D	165	185	200	220	250	285	340	405	460	520	580	715	840	910	1025	1125	1255
H	150	180	200	225	270	300	355	390	445	495	530	620	730	--	--	--	--

**FIG.C.262 SWING CHECK VALVES DIN PN25 Face to Face F1**

SIZE DN	50	65	80	100	125	150	200	250	300	350	400	500	600	700	800	900	1000
L RF/BW	230	290	310	350	400	480	600	730	850	980	1100	1250	1450	1650	1850	2050	2250
D	165	185	200	235	270	300	360	425	485	555	620	730	845	960	1085	1185	1320
H	165	180	200	235	270	300	360	425	485	495	530	740	--	--	--	--	--

**FIG.C.263 SWING CHECK VALVES DIN PN40 Face to Face F1**

SIZE DN	50	65	80	100	125	150	200	250	300	350	400	500	600	700	800	900	1000
L RF/BW	230	290	310	350	400	480	600	730	850	980	1100	1250	1450	1650	1850	2050	2250
D	165	185	200	235	270	300	375	450	515	580	660	775	890	995	1140	1250	1360
H	150	180	200	225	270	300	355	390	445	495	530	740	--	--	--	--	--

**FIG.C.264 SWING CHECK VALVES DIN PN63 Face to Face F2**

SIZE DN	50	65	80	100	125	150	200	250	300	350	400	500	600	700	800	900	1000
L RF/BW	300	340	380	430	500	550	650	775	900	1025	1150	1400	1600	--	--	--	--
D	180	205	215	250	295	345	415	470	530	600	670	800	930	--	--	--	--
H	195	210	230	290	305	370	410	470	520	--	--	--	--	--	--	--	--

**FIG.C.265 SWING CHECK VALVES DIN PN100 Face to Face F2**

SIZE DN	50	65	80	100	125	150	200	250	300	350	400	500	600	700	800	900	1000
L RF/BW	300	340	380	430	500	550	650	775	900	1025	1150	1400	1600	--	--	--	--
D	195	220	230	265	315	355	430	505	585	655	715	870	990	--	--	--	--
H	195	210	230	290	305	370	410	470	520	--	--	--	--	--	--	--	--

**FIG.C.266 SWING CHECK VALVES DIN PN160 Face to Face F8**

SIZE DN	50	65	80	100	125	150	200	250	300	350	400	500	600	700	800	900	1000
L RF/BW	300	360	390	450	525	600	750	900	1050	1200	1350	1650	--	--	--	--	--
D	195	220	230	265	315	355	430	515	585	--	--	--	--	--	--	--	--
H	195	210	230	290	305	370	410	--	--	--	--	--	--	--	--	--	--

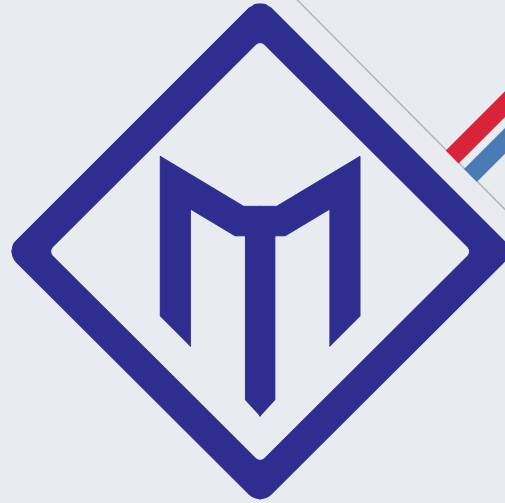
*features on request*

- DISK WITH PTFE OR RUBBER
- LEVER AND WEIGHT
- SHOCK ABSORBER
- LOCKING DEVICE
- INTEGRAL SEAT
- BY-PASS
- DRAIN PLUG
- BW ENDS
- RTJ FLANGES
- ANSI CONNECTIONS

All dimensions in mm (except where differently indicated)

All data, subject to technical changes, are only for information and not for official use.





**ETM VALVE CO.,LTD.**  
**Europe Technology Manufacturer**

